

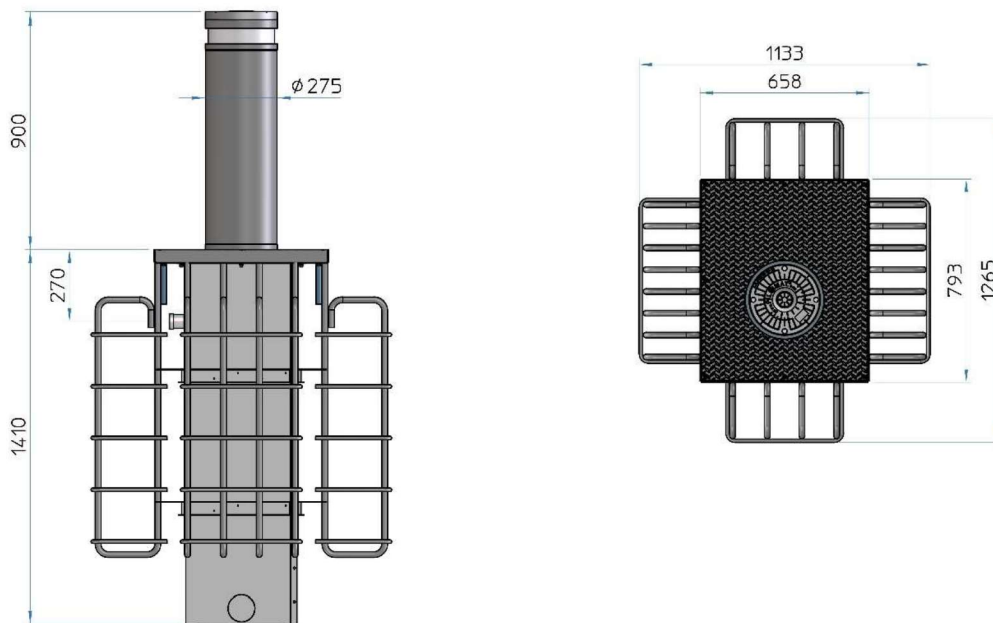
275/K12 900SA

SEMI-AUTOMATIC BOLLARD

The 275/K12 900SA semiautomatic bollards have been designed to ensure the anti-terrorist protection. Current models are the result of our 40 years' experience in the security field and in excess of 20 years in the specific design and manufacture of automatic bollards.

The installation of the 275/K12 900SA bollard is recommended for use in any security sensitive site like company driveways, industrial driveways, research centres, embassies, police facilities, military bases.

CERTIFIED DOS K12/ ASTM M50 – CRASH WITH A 6.800Kg TRUCK AT 80Km/h
IN COMPLIANCE PAS68:2013 – CRASH WITH A 7.500Kg TRUCK AT 80Km/h
IN COMPLIANCE IWA 14-1:2013 – CRASH WITH A 7.200Kg TRUCK AT 80Km/h



275/K12 900SA

DATASHEET	
OPERATING CRITERION	WITH BATTERY DRILL OR MANUAL ROD. RISING: CLOCKWISE ROTATION - LOWERING: COUNTERCLOCKWISE ROTATION
CYLINDER MATERIAL	FE 510 STEEL / AISI 304 STAINLESS STEEL / AISI 316 STAINLESS STEEL
CYLINDER DIAMETER (NOMINAL)	275mm
CYLINDER HEIGHT	900mm
CYLINDER THICKNESS	25mm
CYLINDER FINISH (STEEL)	ANTICORROSION TREATMENT + GREY ANTHRACITE STANDARD PAINTING
CYLINDER FINISH (STAINLESS STEEL)	GREY ANTHRACITE STANDARD PAINTING / BRUSHING
OTHER CYLINDER FINISH	KNURLING ON CYLINDER SURFACE
REFLECTING STRIP	STANDARD – HEIGHT 55mm
RISING SPEED (WITH DRILL BATTERIES)	8cm/sec.
LOWERING SPEED (WITH DRILL BATTERIES)	20cm/sec.
MANUAL HYDRAULIC UNIT	BUILT-IN INTO THE BOLLARD
PROTECTION CLASS	IP 67
IMPACT RESISTANCE (WITHOUT DEFORMATION)	700.000 J.
BREAKOUT RESISTANCE	2.000.000 J.
OPERATING TEMPERATURE (NOMINAL)	-20°C +60°C (FOR LOWER TEMPERATURES HEATING CARTRIDGE IS RECOMENDED)
ANTI-CORROSION TREATMENT M	OPTIONAL TO BE ORDERED IN CASE OF INSTALLATIONS THAT ARE LESS THAN 2 KM FROM THE SEA TO BE ORDERED IN CASE OF INSTALLATIONS WHERE SALT IS USED ON THE ROAD TO AVOID ICE FOR A PERIOD UP TO 3 MONTHS
DRILL INSERT FOR LIFTING / LOWERING THE BOLLARD	STANDARD - 1 PIECE INCLUDED

AVAILABLE ITEMS

BOLLARD 275/K12 900SAFEV - NORMAL STEEL PAINTED

BOLLARD 275/K12 900SAIXV - STAINLESS STEEL PAINTED

BOLLARD 275/K12 900SAIXS - STAINLESS STEEL BRUSHED

PIT IN ALUZINC FOR 275/K12 900SA - COUNTERFRAME AND REBARS
ONE PIT FOR EACH BOLLARD

MULTILED FLASHING LIGHT- 25 LED POINTS

REFLECTING ADHESIVE STRIP - WHITE (NO-LOGO)

HEAD WITHOUT LOGO FOR PILOMAT 275/K12 900SA

PAINTING WITH RAL COLOUR ON REQUEST

AISI 316 STAINLESS STEEL CYLINDER

SECURITY LOCK FOR MECHANICAL LOCKING OPERATING POINT

ROD FOR LIFTING/LOWERING THE BOLLARD MANUALLY

BATTERY DRILL FOR LIFTING/LOWERING THE BOLLARD

PAG.2/3